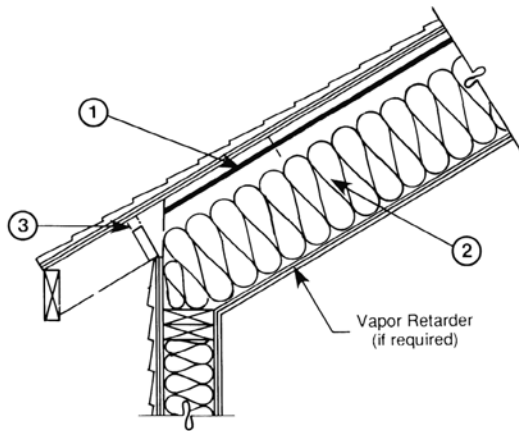
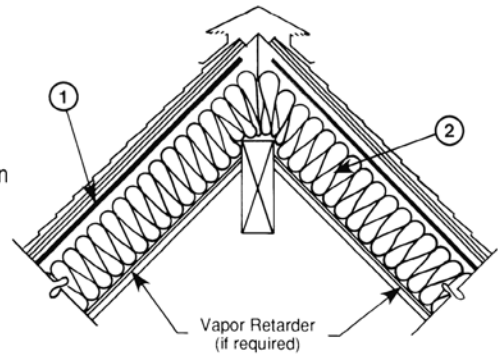


CATHEDRAL/VAULTED CEILING APPLICATION OF AFS RADIANT BARRIER (RB)

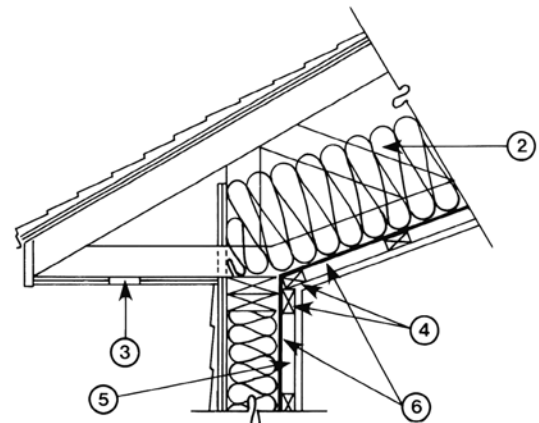


- ① Radiant Barrier
- ② Specified Insulation
- ③ Soffit/Eave Vent
- ④ 1" x 2" Furring
- ⑤ 3/4" Air Space
- ⑥ Radiant Barrier



Installation Instructions

- Apply RB directly over roof rafters or trusses prior to sheeting roof (Perforated RB suggested for this application)
- When installed, RB should have an airspace on one side of no less than 3/4".
- A gap of 6" is recommended at the peak or ridge. RB should be held a minimum of 3" above insulation at eave.
- When RB is installed as a vapor retarder, all seams should be taped.
- Interior wall and ceiling applications suggested primarily for cold climates.
- The RB must cover all gable and vertical surfaces in the attic.



Suggested Cold Climate Application

NOTE: The drawing above represents typical cathedral ceiling drawings. For assemblies requiring special installation methods, please contact a factory representative.